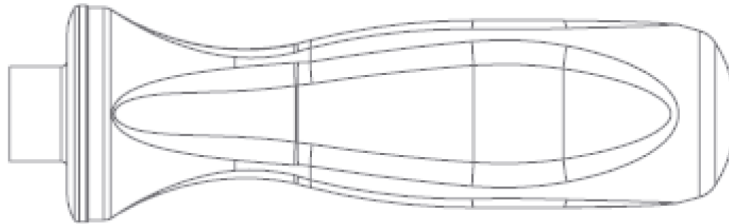
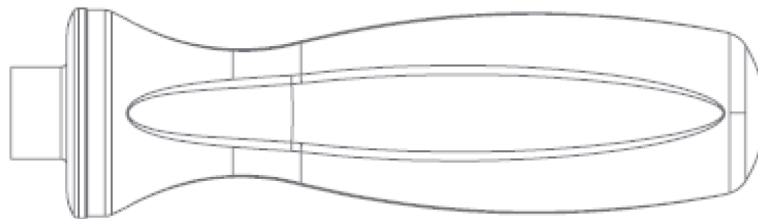


# Silicone Handles



## MINI INLINE SILICONE HANDLE

Catalog #	Description
H130223	Handle, Mini Inline, Ø.407, Front Cap, Ø0.2 Cannulation
H130224	Handle, Mini Inline, 3/8-24 Thread, Front Cap, Ø0.2 Cannulation
H130225	Handle, Mini Inline, 3/8-24 Thread, Fr/Rr Cap, Ø0.2 Cannulation
H130226	Handle, Mini Inline, Ø.407, Fr/Rr Cap, Ø0.2 Cannulation



## LONG MINI INLINE SILICONE HANDLE

Catalog #	Description
H131223	Handle, Long Mini Inline, Ø.407, Front Cap, Ø0.2 Cannulation
H131224	Handle, Long Mini Inline, 3/8-24 Thread, Front Cap, Ø0.2 Cannulation
H131225	Handle, Long Mini Inline, 3/8-24 Thread, Fr/Rr Cap, Ø0.2 Cannulation
H131226	Handle, Long Mini Inline, Ø.407, Fr/Rr Cap, Ø0.2 Cannulation

### US Customer Service

4532 Park 30 Drive  
Columbia City, IN 46725  
U.S.A.  
tel +1 260-244-6300  
fax +1 260-244-6345

orthopaedicsna@greatbatchmedical.com

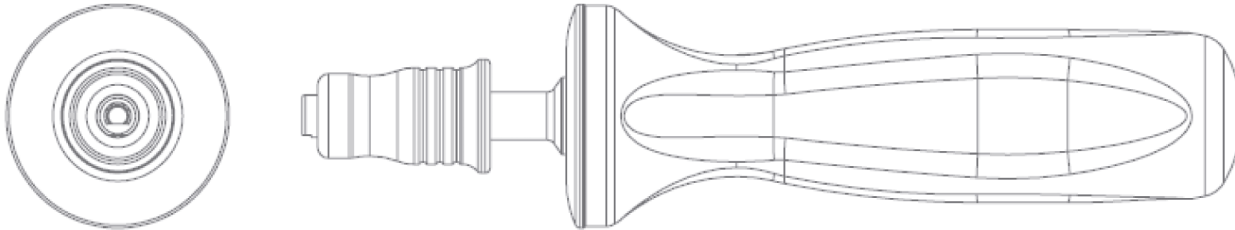
[www.greatbatchmedical.com](http://www.greatbatchmedical.com)

### Europe & Asia Customer Service

L'Echelette 7  
2534 Orvin  
Switzerland  
tel +41 32 358 01 11  
fax +41 32 358 01 00

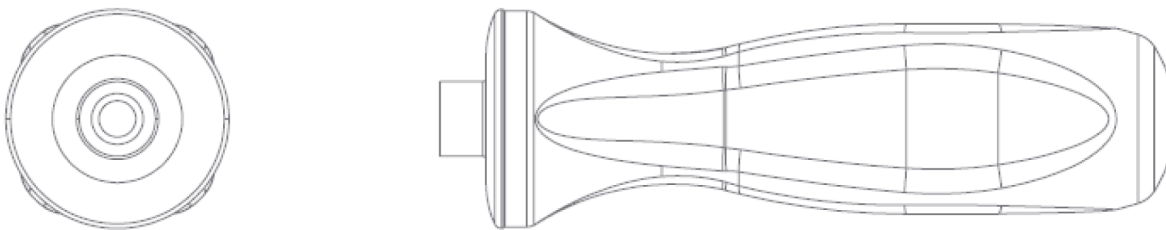
orthopaedicseurope@greatbatchmedical.com

# Silicone Handles



## STANDARD INLINE SILICONE HANDLE

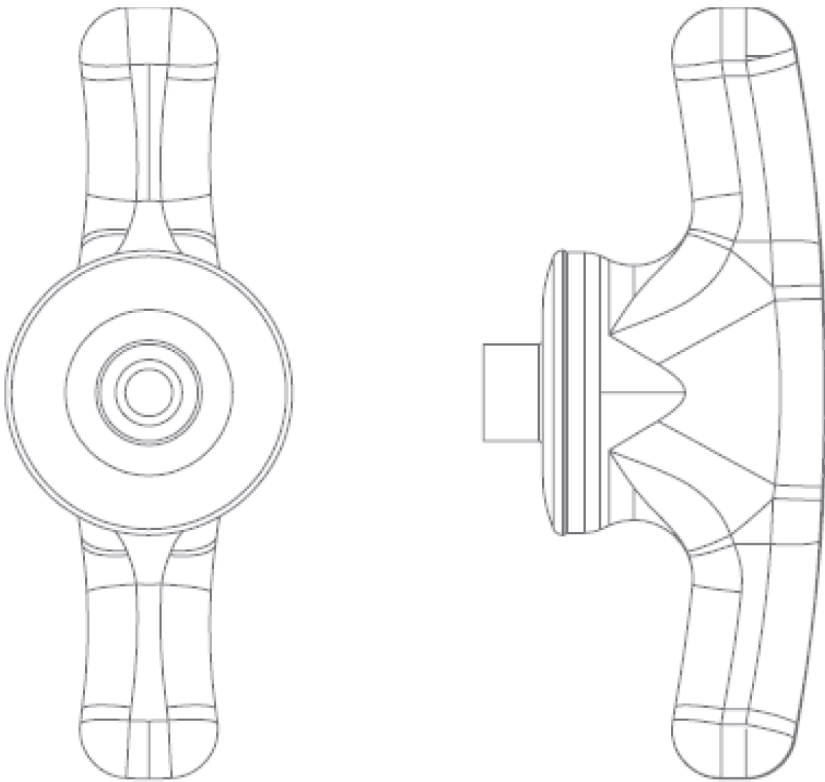
Catalog #	Description
H120036	Handle, Standard Inline, 3/8-24 Thread, Ø0.2 Cannulation
H130238	Handle, Standard Inline, 3/8-24 Thread, Front Cap, Ø0.2 Cannulation
H130239	Handle, Standard Inline, 3/8-24 Thread, Fr/Rr Cap, Ø0.2 Cannulation



## LARGE INLINE SILICONE HANDLE

Catalog #	Description
H130221	Handle, Large Inline, 3/8-24 Thread, Front Cap, Ø0.2 Cannulation
H130222	Handle, Large Inline, 3/8-24 Thread, Fr/Rr Cap, Ø0.2 Cannulation

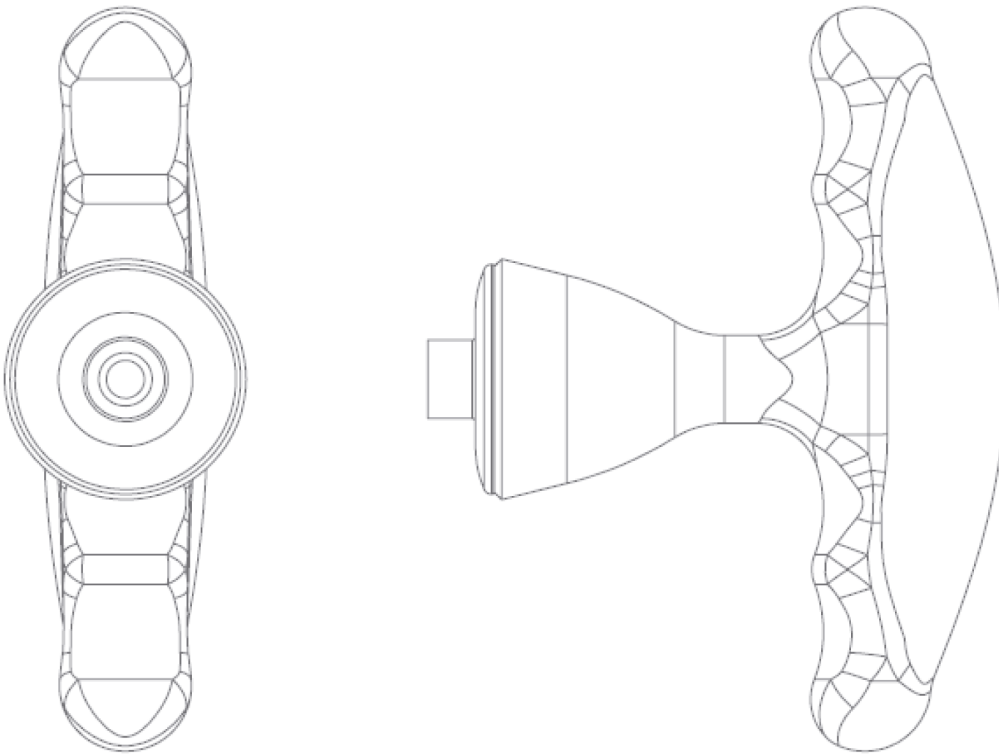
# Silicone Handles



## SHORT-T SILICONE HANDLE

Catalog #	Description
H130243	Handle, Short T, Ø.407, Front Cap, Ø0.2 Cannulation
H130244	Handle, Short T, 3/8-24 Thread, Front Cap, Ø0.2 Cannulation
H130247	Handle, Short T, 3/8-24 Thread, Fr/Rr Cap, Ø0.1 Cannulation

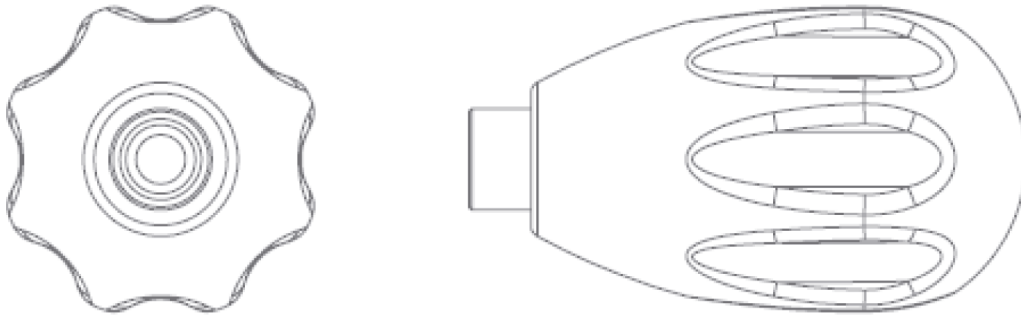
# Silicone Handles



## SHORT-T SILICONE HANDLE

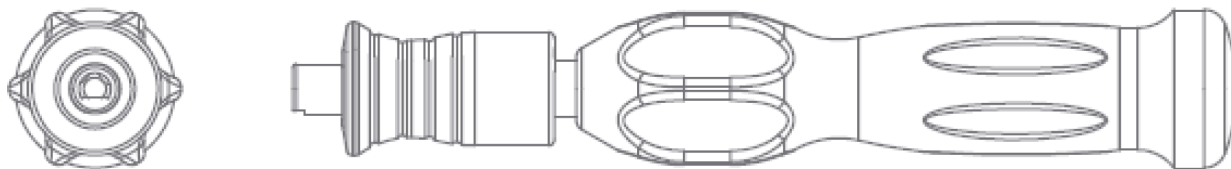
Catalog #	Description
H130643	Handle, XLT120, Ø.407, Front Cap, Ø0.2 Cannulation
H130644	Handle, XLT120, 3/8-24 Thread, Front Cap, Ø0.2 Cannulation
H130648	Handle, XLT120, 3/8-24 Thread, Fr/Rr Cap, Ø0.1 Cannulation

# Silicone Handles



## XLT120 SILICONE HANDLE

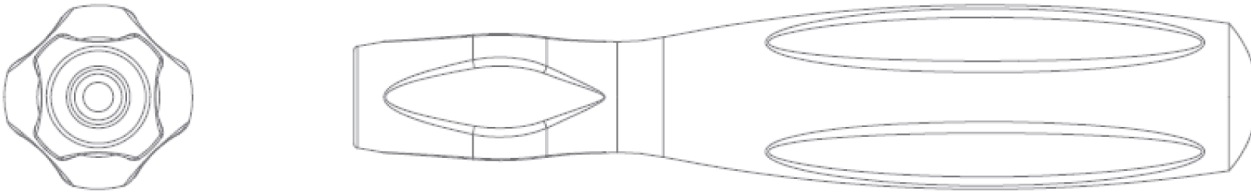
Catalog #	Description
H120031	Handle, Palm, 3/8-24 Thread
H120032	Handle, Palm, 5/16-24 Thread
H130031	Handle, Palm, 3/8-24 Thread, Rear Cap



## BALL SILICONE HANDLE

Catalog #	Description
H120001	Handle, Ball, 3/8-24 Thread
H120003	Handle, Ball, 1/2-20 Thread

# Silicone Handles



## JEWELER HANDLE W/ FIXED COUPLING AND SPIN CAP

Catalog #	Description
H121930	Handle, Curette, 3/8-16 Thread, Ø0.2 Cannulation
H131312	Handle, Curette, 3/8-16 Thread, Rear Cap

# Silicone Handles

## HOW TO SPECIFY A SILICONE HANDLE

Ex. Standard Inline handle with 3/8"-24 thread front cap and rear plug in black silicone.

### H130238-P-S01



1 BASE CATALOGUE NUMBER- Reference tables

2 PLUG

DESIGNATION	Description
P	Plug (No Cannulation)
None	Cannulation

3 SILICONE COLOR

DESIGNATION	COLOR
-S01	Black*
-S04	Gray
-S09	Blue*

\*Standard colors. Other colors are available upon request.  
Please provide Pantone® Matching System (PMS) number at time of request.