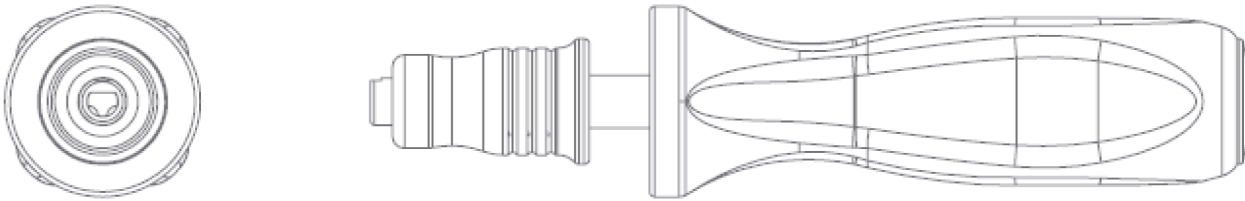


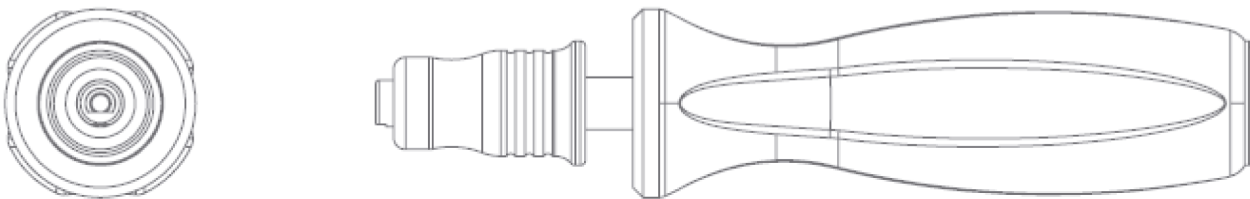
# Torque-Limiting Silicone Handles



## MINI INLINE SILICONE HANDLED TORQUE-LIMITER

Catalog #	Description
TLM001	Torque Driver, Mini Inline, Mini AO Push Coupling
TLM011*	Torque Driver, Mini Inline, Mini AO Pull Coupling

\*Item shown



## LONG INLINE SILICONE HANDLED TORQUE-LIMITER

Catalog #	Description
TLML001	Torque Driver, Long Mini Inline, Mini AO Push Coupling
TLML011*	Torque Driver, Long Mini Inline, Mini AO Pull Coupling

\*Item shown

### US Customer Service

4532 Park 30 Drive  
Columbia City, IN 46725  
U.S.A.  
tel +1 260-244-6300  
fax +1 260-244-6345

orthopaedicsna@greatbatchmedical.com

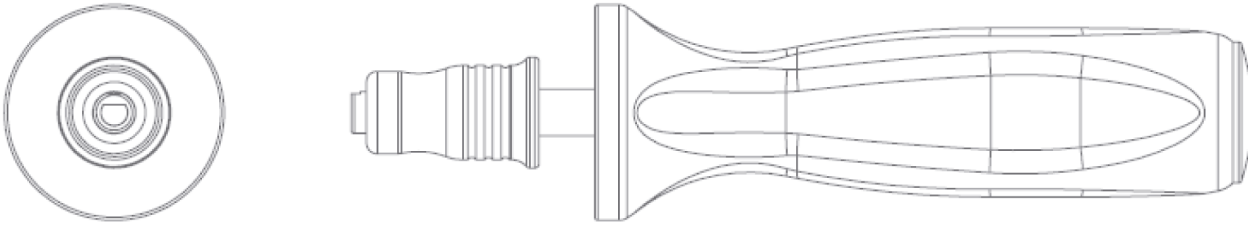
[www.greatbatchmedical.com](http://www.greatbatchmedical.com)

### Europe & Asia Customer Service

L'Echelette 7  
2534 Orvin  
Switzerland  
tel +41 32 358 01 11  
fax +41 32 358 01 00

orthopaedicseurope@greatbatchmedical.com

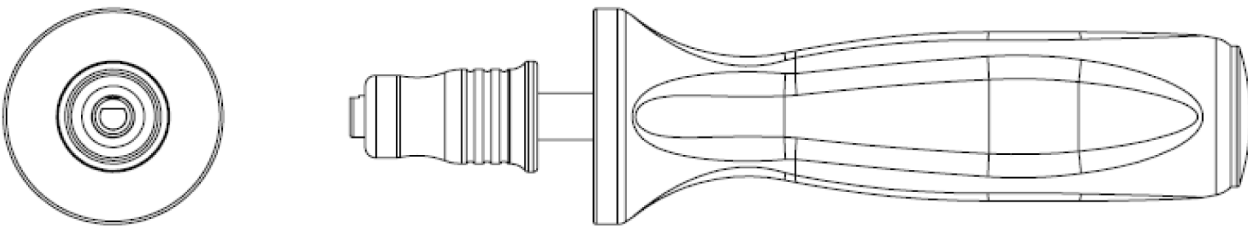
# Torque-Limiting Silicone Handles



## LARGE INLINE SILICONE HANDLED TORQUE-LIMITER

Catalog #	Description
TLS003	Torque Driver, Standard Inline, 1/4" SQ Pull Coupling
TLS007	Torque Driver, Standard Inline, Large Hudson Pull Coupling
TLS009	Torque Driver, Standard Inline, Z-S-J-Hall† Pull Coupling
TLS011*	Torque Driver, Standard Inline, Mini AO Pull Coupling

\*Item shown; † Z-S-J-Hall = Zimmer-Stryker-Jacobs Hall

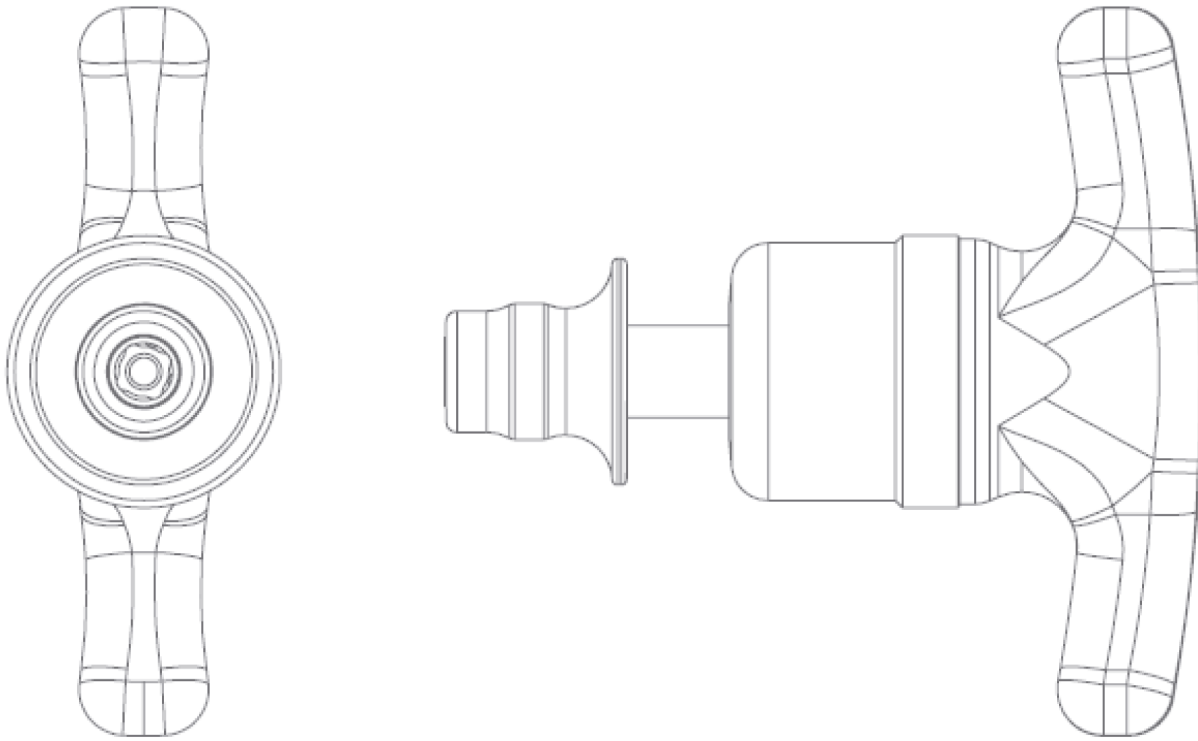


## LARGE INLINE SILICONE HANDLED TORQUE-LIMITER

TLL003	Torque Driver, Large Inline, 1/4" SQ Pull Coupling
TLL007*	Torque Driver, Large Inline, Hudson Pull Coupling
TLL009	Torque Driver, Large Inline, Z-S-J-Hall† Pull Coupling
TLL011	Torque Driver, Large Inline, Mini AO Pull Coupling

\*Item shown; † Z-S-J-Hall = Zimmer-Stryker-Jacobs Hall

# Torque-Limiting Silicone Handles

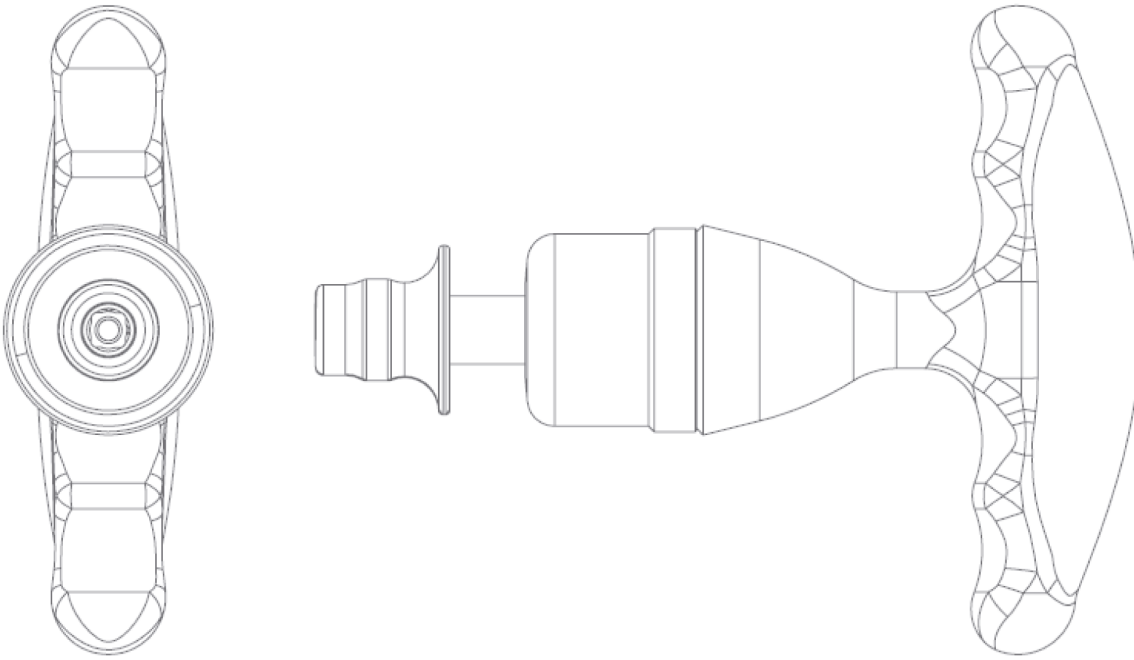


## SHORT-T SILICONE HANDLED TORQUE-LIMITER

Catalog #	Description
TLT003*	Torque Driver, Short T, 1/4" SQ Pull Coupling
TLT007	Torque Driver, Short T, Large Hudson Pull Coupling
TLT009	Torque Driver, Short T, Z-S-J-Hall† Pull Coupling
TLT011	Torque Driver, Short T, Mini AO Pull Coupling

\*Item shown; † Z-S-J-Hall = Zimmer-Stryker-Jacobs Hall

# Torque-Limiting Silicone Handles



## XLT120 SILICONE HANDLED TORQUE-LIMITER

Catalog #	Description
TLX003*	Torque Driver, XLT120, 1/4" SQ Pull Coupling
TLX007	Torque Driver, XLT120, Large Hudson Pull Coupling
TLX009	Torque Driver, XLT120, Z-S-J-Hall† Pull Coupling
TLX011	Torque Driver, XLT120, Mini AO Pull Coupling

\*Item shown; † Z-S-J-Hall = Zimmer-Stryker-Jacobs Hall

# Torque-Limiting Silicone Handles

## HOW TO SPECIFY A SILICONE HANDLED

Ex. Standard Inline handle with 1/4" square Coupling @ 30 In-lbs in black silicone.

TLS003-30-S01



1 BASE CATALOGUE NUMBER- Reference tables

2 NOMINAL TORQUE VALUE (IN-LBS  $\pm 10\%$ )

### SILICONE COLOR

3

DESIGNATION	COLOR
-S01	Black*
-S04	Gray
-S09	Blue*

\*Standard colors. Other colors are available upon request.  
Please provide Pantone® Matching System (PMS) number at time of request.

### OTHER OPTIONS INCLUDE:

- Integral Drive Shaft
- Custom Handle Styles